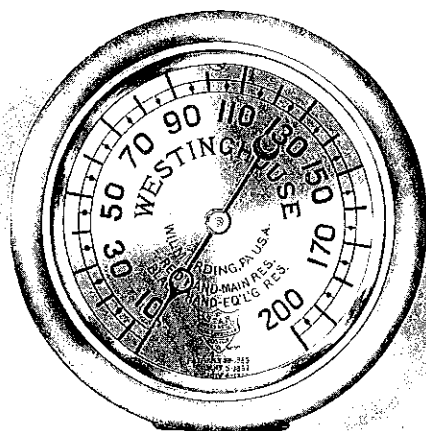


COPYRIGHT, 1912, BY THE

# Westinghouse Traction Brake Company.



## Air Gages.

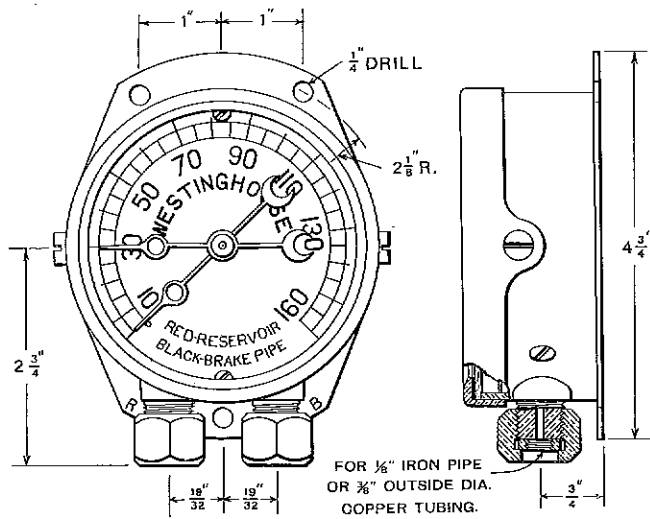
Part Catalog No. T 3516-7.

March, 1912.

(SUPERSEDING ISSUE OF MARCH, 1909.)

All Leather and Rubber Goods  
Subject to Variation.

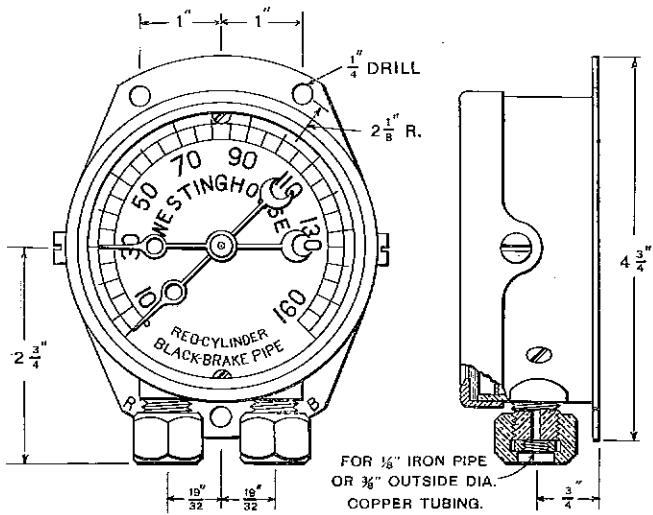
AIR GAGES. Prices Not Subject to  
Change without Notice.



Net Weight, 2 1/2 lbs.

Duplex Air Gage, Piece No. 36614 has brass case with silvered dial and is standard for use with AMP, AMS, AMT, AMM and AMR Equipments.

Piece No. 36614. 3 1/2-inch Duplex Air Gage, complete . . . . . Price, \$10.00



Net Weight, 2 1/2 lbs.

Duplex Air Gage, Piece No. 36615 has brass case with silvered dial and is standard for use with EL and SME Equipments.

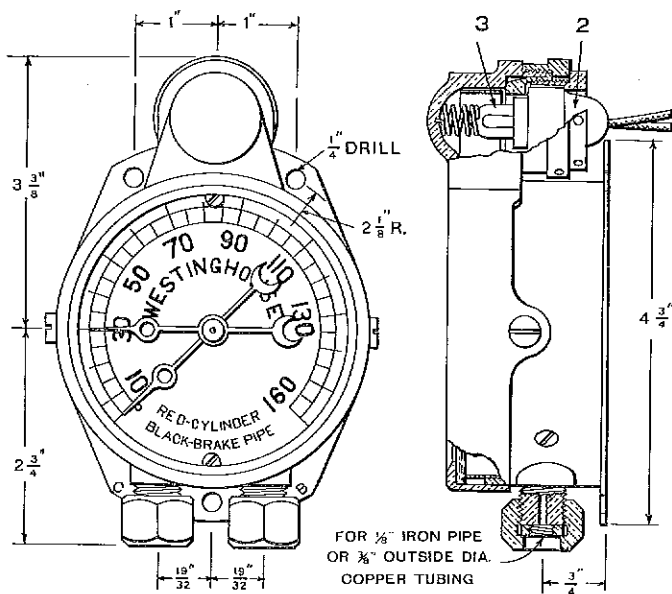
Piece No. 36615. 3 1/2-inch Duplex Air Gage, complete . . . . . Price, \$10.00

NOTE—We recommend that repair parts, other than those listed, be obtained from the gage manufacturers direct.

Orders must give PIECE NUMBER and NAME of part wanted.

AIR GAGES.

Prices Net: subject to  
Change without Notice

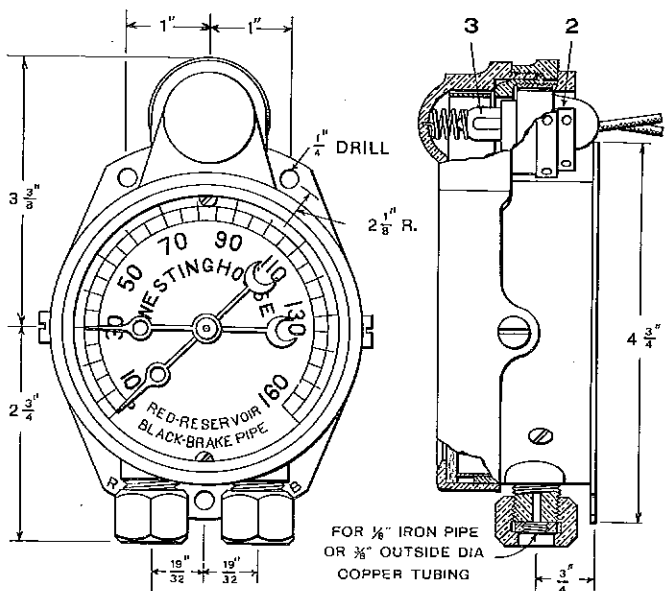


Net Weight, 3 3/4 lbs.

Illuminated Duplex Air Gage, Piece No. 36618, is furnished when specially ordered, has brass case with silvered dial and is used with EL and SME Equipments.

Piece No. 36618. 3 1/2-inch illuminated Duplex Air Gage, complete with 1/10 Amp. Lamp . . . Price, \$12.00

Pc. No.	Ref. No.	Price
21373	2 Porcelain Socket with Leads . . . \$	.50
32330	3 1/10 Amp. Lamp . . .	.25



Net Weight, 3 3/4 lbs.

Illuminated Duplex Air Gage, Piece No. 36617, is furnished when specially ordered, has brass case with silvered dial and is used with AMP, AMS, AMT, AMM and AMR Equipments.

Piece No. 36617. 3 1/2-inch illuminated Duplex Air Gage, complete with 1/10 Amp. Lamp . . . Price, \$12.00

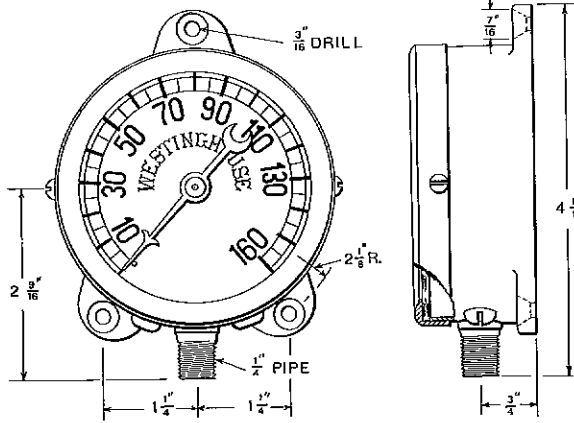
Pc. No.	Ref. No.	Price
21373	2 Porcelain Socket with Leads . . . \$	.50
32330	3 1/10 Amp. Lamp . . .	.25

NOTE—We recommend that repair parts, other than those listed, be obtained from the gage manufacturers direct.

Orders must give PIECE NUMBER and NAME of part wanted.

AIR GAGES.

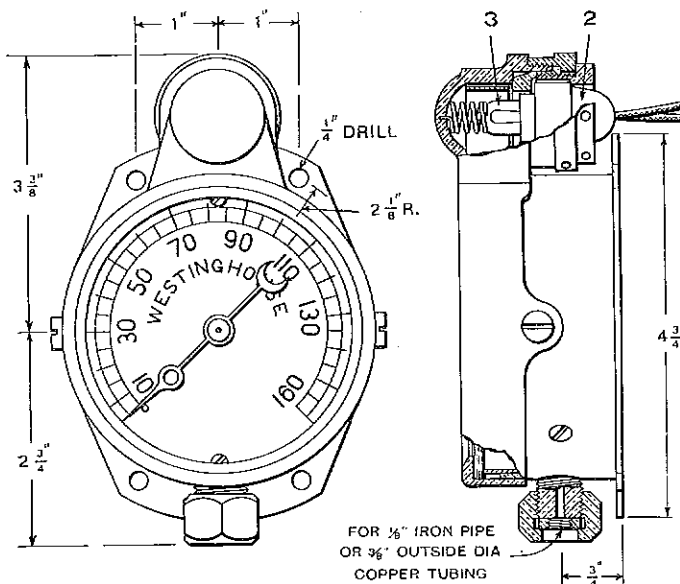
Prices Net: subject to



Net Weight, 1 1/2 lbs.

Single Pointer Air Gage, Piece No. 19100, has cast iron case with silvered dial, is standard for use with SM 3 Equipment and is also used with Portable Compressor Plants and for general purposes.

Piece No. 19100. 3 1/2-inch Single Pointer Air Gage, complete  
Price, \$2.50



Net Weight, 3 lbs.

Illuminated Single Pointer Air Gage, Piece No. 36619, has brass case with silvered dial, and is used for general purposes.

Piece No. 36619. 3 1/2-inch Illuminated Single Pointer Air Gage, complete, with 1/10 Amp. Lamp . . . Price, \$8.00

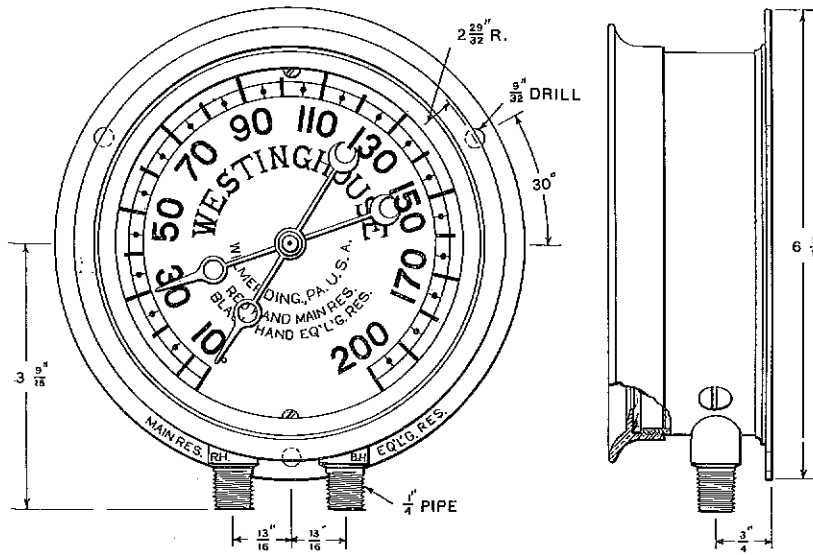
Pc. No.	Ref. No.	Price
21373	2 Porcelain Socket with Leads . . .	\$ .50
32330	3 1/10 Amp. Lamp . . .	.25

NOTE—We recommend that repair parts, other than those listed, be obtained from the gage manufacturers direct.

Orders must give PIECE NUMBER and NAME of part wanted.

Subject to Quotation

AIR GAGES.

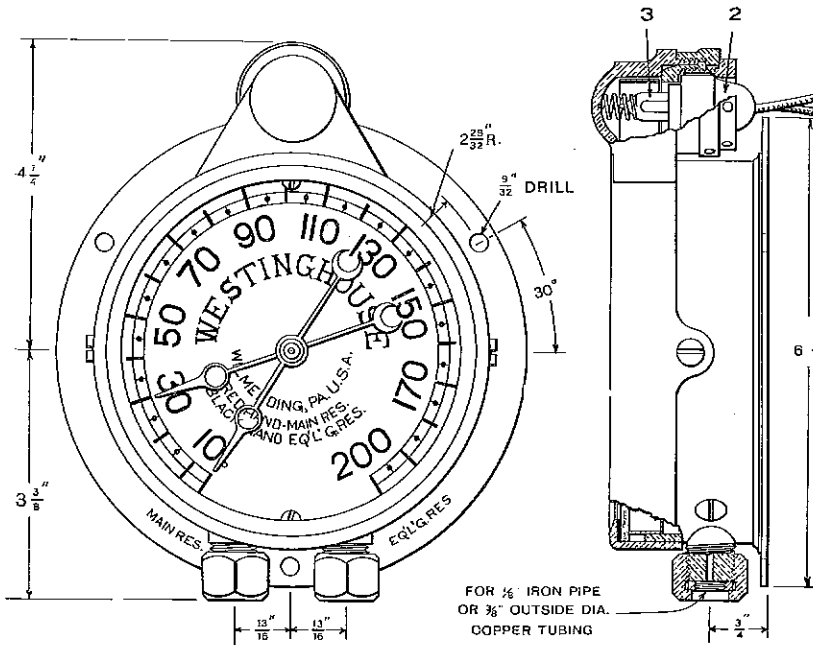


Net Weight, 3 1/4 lbs.

Prices Net: subject to  
Change without Notice

Duplex Air Gage, Piece No. 23334, has brass case with silvered dial, and is standard for use with EL Equipment.

Piece No. 23334. 5-inch Duplex Air Gage, complete . . . Price, \$10.00



Net Weight, 4 1/2 lbs.

Illuminated Duplex Air Gage, Piece No. 36616, is furnished when specially ordered, has brass case with silvered dial, and is used with EL Equipment.

Piece No. 36616. 5-inch Illuminated Duplex Air Gage, complete, with 1/2 Amp. Lamp . . . . . Price, \$12.00

Pc. No.	Ref. No.	Price
21373	2 Porcelain Socket with Leads . . . \$	.50
32330	3 1/2 Amp. Lamp	.25

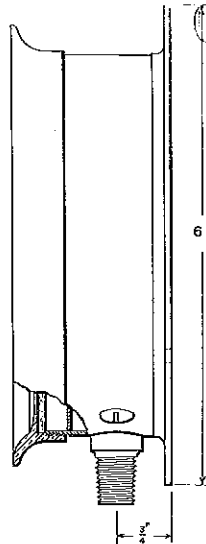
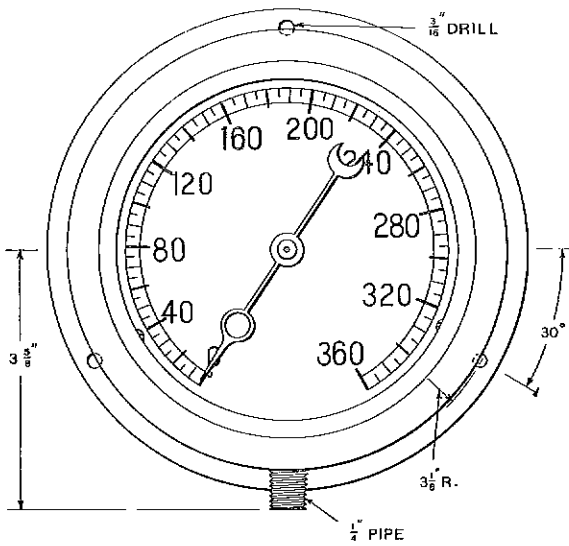
NOTE—We recommend that repair parts, other than those listed, be obtained from the gage manufacturers direct.

Orders must give PIECE NUMBER and NAME of part wanted.

All Leather and Rubber Goods  
Subject to Quotation

AIR GAGES.

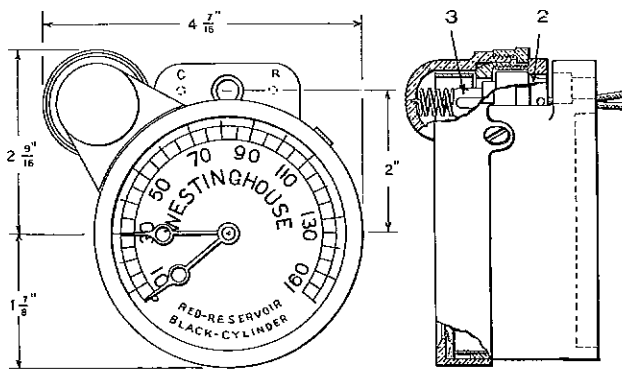
Prices Net: subject to  
Change without Notice



Single Pointer Air Gage,  
Piece No. 6048, has brass case  
and is used with the Storage  
System.

Piece No. 6048. 5-inch  
Single Pointer Air  
Gage, complete . . .  
Price, \$6.00

Net Weight, 3 3/4 lbs.



Net Weight, 3 lbs.

Illuminated Duplex Air Gage, Piece  
No. 20006, has brass case with sil-  
vered dial, and is used with the SJ  
Brake Valve.

Piece No. 20006. Illuminated  
Duplex Air Gage, complete,  
with 1/6 Amp. Lamp . Price, \$12.00

Pc. No.	Ref. No.	Price
21373	2 Porcelain Socket with Leads . . . . .	\$ .50
32330	3 1/6 Amp. Lamp . . . . .	.25

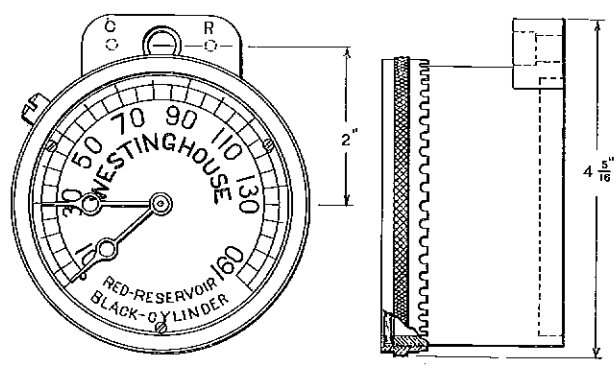
NOTE—We recommend that repair parts, other than those listed, be obtained from the gage  
manufacturers direct.

Orders must give PIECE NUMBER and NAME of part wanted.

Subject to Quotation

AIR GAGES.

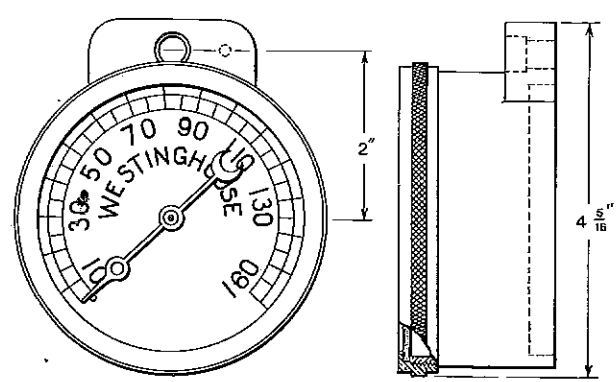
Prices Net: subject to Change without Notice



Net Weight, 2 lbs.

Duplex Air Gage, Piece No. 12652, has brass case with silvered dial, and is used with the SJ Brake Valve.

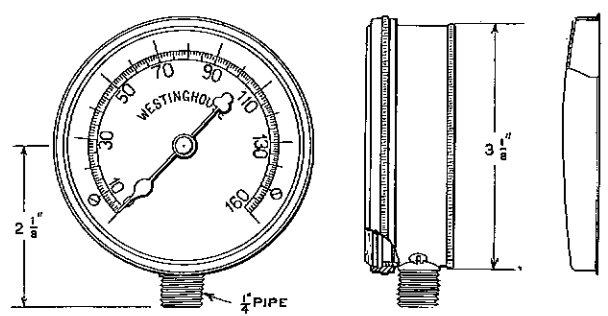
Piece No. 12652. Duplex Air Gage, complete . . . . Price, \$10.00



Net Weight, 2 lbs.

Single Pointer Air Gage, Piece No. 14030, has brass case with silvered dial, and is used with the SQ Brake Valve.

Piece No. 14030. Single Pointer Air Gage, complete . . . Price, \$6.00



Net Weight, 1 lb.

Inspector's Test Gage, Piece No. 20458, has brass case with silvered dial and nickel plated cap.

Piece No. 20458. 3 1/8" Inspector's Test Gage, complete with Cap . . . . Price, \$8.60

Piece No. 20976. 3 1/8" Inspector's Test Gage, less Cap . . . Price, \$8.25

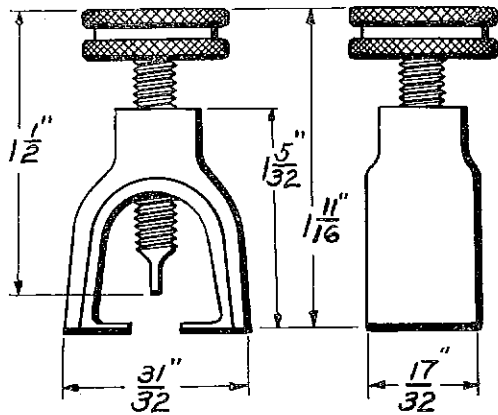
Piece No. 20975. Spring Cap . . . . Price, \$ .35

Piece No. 13775. Coupling Device for Inspector's Test Gage, to fit any size standard hose coupling . . . . Price, \$1.50

NOTE—We recommend that repair parts, other than those listed, be obtained from the gage manufacturers direct.

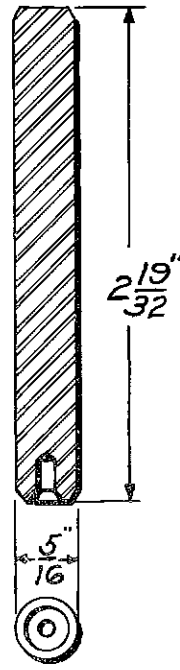
Orders must give PIECE NUMBER and NAME of part wanted.

AIR GAGES.



Net Weight, 1/8 lb.

Piece No. 32788. Gage Hand Jack, complete . . . . . Price, \$1.00

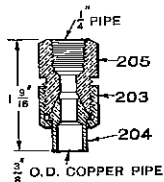


Net Weight, 1/8 lb.

Piece No. 32789. Gage Hand Set, complete . . . . . Price, \$ .15

GAGE UNION FITTING.

The Gage Union Fitting is for use with air gages having 1/4-inch iron pipe connections, when gage pipe is of 3/8-inch O. D. copper pipe.



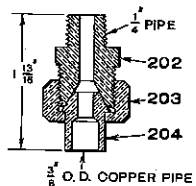
Net Weight, 1/4 lb.

Piece No. 21468. Gage Union Fitting, complete (includes 203, 204 and 205) . . . . . Price, \$ .40

Pc. No.	Ref. No.	Price
21466	203	Union Nut . . . . . \$ .10
21465	204	Union Swivel . . . . . .10
21467	205	Union Stud . . . . . .20

GAGE UNION STUD.

The Union Stud is for use where connection is to be made from fitting tapped for 1/4-inch iron pipe to 3/8-inch O. D. copper pipe, as in case of gage pipe connections to standard pipe fittings.



Net Weight, 1/4 lb.

Piece No. 20485. Union Stud, with 1/4-inch choke, complete (includes 202, 203 and 204) . . . . . Price, \$ .50

Pc. No.	Ref. No.	Price
20470	202	Union Stud . . . . . \$ .25
2001	203	Union Nut . . . . . .15
16286	204	Union Swivel . . . . . .10

Piece No. 31776. Union Stud, with 1/8-inch choke, complete (includes 202, 203 and 204) . . . . . Price, \$ .50

Pc. No.	Ref. No.	Price
20470	202	Union Stud . . . . . \$ .25
2001	203	Union Nut . . . . . .15
31775	204	Union Swivel . . . . . .10

Orders must give PIECE NUMBER and NAME of part wanted.